

# TAKSTAR® 得胜



E126A | 扩音器  
AMPLIFIER

## ■ 前言

尊敬的用户：

感谢您选购得胜E126A扩音器，为了您能够更好的了解使用本产品，建议在使用前仔细阅读本说明书。

若存在有疑问或者您有宝贵的建议，可通过拨打得胜官方服务热线 400 6828 333 或微信扫描二维码关注得胜官方公众号与我们联系。



## ■ 产品特性

- 一款体积小巧轻便的MINI型扩音器；
- 采用稀土材质扬声器，重量轻、音质好、声音大；
- 数字扩音技术，8W大功率音频输出；
- 内置大容量锂电池，节能环保，使用时间约15小时；
- 具有AUX音频信号输入功能，可充当小音箱使用；
- 配备指示灯显示设计，实时了解扩音器工作状态；
- 具有肩挂及腰挂等多种佩戴方式，使用更方便；
- 产品依照人体工学原理设计，造型新颖，外观时尚。

## ■ 包装清单

主机（扩音器）.....	1个
头戴麦克风.....	1个
背扣.....	1个
腰带.....	1条
Type-C充电线.....	1条
说明书.....	1份

## ■ 适用范围

适用于教学、导游、培训、促销等场合扩音

## ■ 技术参数

### 主机参数

频率响应: 150Hz-12KHz

峰值功率: 8W

扬声器阻抗: 4Ω

总谐波失真:  $THD \leq 1\%$  1KHz@4R,4W

工作电压: 3.45V-4.2V

电池类型: 锂离子电池

电池容量: 3.7V/1800mAh

• 充电方式: DC 5V  $\approx$  800mA

• 充电时间: 约2.5小时

• 使用时间: 约15小时

• 产品重量: 约148g

• 产品尺寸: 92mm\*72.5mm\*25mm

### 头戴麦克风参数

• 拾音器: 背极式驻极体

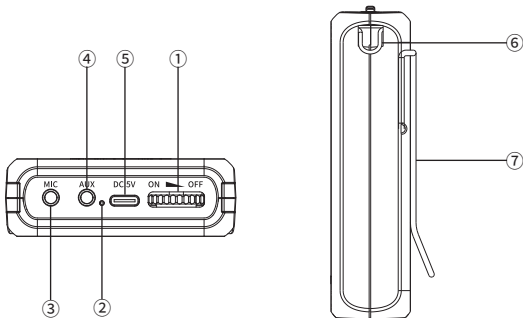
• 指向性: 单指向

• 频率响应: 60Hz-16KHz

• 灵敏度:  $-48.5dB \pm 3dB$  ( $0dB=1V/Pa$ ,  
at 1KHz)

注: 以上数据由得胜实验室测得并拥有最终解释权!

## ■ 功能示意：



- ①电源开关和音量调整旋钮：向“ON”方向拨动旋钮，听到“滴”一声，表示扩音器已通电，此时电源指示灯②亮蓝灯，继续向左拨动旋钮则声音增大，反之向“OFF”方向拨动旋钮则声音减小直至听到“滴”的一声关机；
- ②电源指示灯：充电时，指示灯长亮红灯；红灯熄灭，蓝灯长亮表示电已充满；扩音过程中红蓝灯闪烁表示低电压，当此红蓝灯闪烁时，请及时为扩音器充电；
- ③MIC输入插孔： $\varnothing 3.5\text{mm}$ 的麦克风插头插入此孔，进入扩音工作状态；操作时，请不要将麦克风的拾音面朝向扩音器的扬声器，以免产生啸叫；
- ④AUX输入插孔：用 $\varnothing 3.5\text{mm}$ 音频线将DVD、MP3等音乐信号导入本机，可做为有源音箱使用；
- ⑤充电输入插孔：通过Type-C充电线为扩音器充电；
- ⑥挂扣：用于安装肩带，可将扩音器斜挂于肩上使用；
- ⑦背扣：用于将扩音器扣于腰带或裤腰上使用。

## ■ 使用方法

1. 将头戴麦克风正确佩戴在头部，并调整好麦克风的拾音角度；
2. 将 $\phi 3.5\text{mm}$ 的麦克风插头插入MIC输入插孔内；
3. 打开电源开关，电源指示灯亮蓝灯，调整音量旋钮到合适的音量；
4. 在使用过程中，若指示灯红蓝灯闪烁时，表示扩音器处于低电量状态，请及时充电。

提示：初次使用时，建议先充满电；当电池充满时，请停止对电池充电，避免电池过冲；如长时间不使用，需每半年充电一次，避免电池过放，并对电池性能产生影响。

## ■ 故障排除

项目	可能原因	解决方法
扩音器没有声音	头戴麦克风音头受潮	更换一个头戴麦克风使用
	头戴麦克风插错位置	检查并插入正确的麦克风输入插孔
	扩音器电池没电	及时为电池充电
扩音器充不进电	充电器或充电线故障	更换充电器或充电线

### ■ 安全警示

为避免电击、高温、着火、辐射、爆炸、机械危险以及使用不当等可能造成的人身伤害或财产损失，使用本产品前，请仔细阅读并遵守以下事项：

- 1.使用产品时请确认所连接设备与本产品功率是否匹配以及合理调整设备音量大小，不要在超过产品功率及大音量下长时间使用，以免造成产品异常和听力损伤；
- 2.使用中若发现有异常（如冒烟、异味等），请立即关闭电源开关并拔掉电源插头，然后将产品送经销商检修；
- 3.本产品及配件都应放置在室内干燥通风处，勿长期存放在潮湿、灰尘多的环境，使用中避免靠近火源，雨淋、进水、过度碰撞、抛掷、振动本机及覆盖通风孔，避免损坏其功能；
- 4.若产品需要固定于墙壁或天花板上时，请确保固定到位，防止因固定强度不足导致产品发生跌落危险；
- 5.使用该产品时需遵守相关安全规定，法律法规明确禁止使用场合请勿使用产品，以免导致意外事故；
- 6.请不要自行拆机改装或维修，以防止出现人身伤害，如有问题或服务需求请联系当地经销商跟进处理。
- 7.本产品不带电源适配器销售，消费者若使用电源适配器供电，则应购买配套使用获得CCC认证并满足标准要求的电源适配器；

## ■ 环保说明

产品中所含有毒有害物质或元素的名称及含量

部件名称 (大体分类)	有毒有害物质或元素					
	铅 (Pb)	汞 (Hg)	镉 (Cd)	六价铬 (Cr(VI))	多溴联苯 (PBB)	多溴二苯醚 (PBDE)
塑胶部件	○	○	○	○	○	○
五金部件	×	○	○	○	○	○
电路板组件	×	○	○	○	○	○
线缆	×	○	○	○	○	○

本表格依据SJ/T 11364的规定编制。

○: 表示该有害物质在该部件所有均质材料中的含量均在 GB/T 26572规定的限量要求以下。

×: 表示该有害物质至少在该部件的某一均质材料中的含量超出 GB/T 26572规定的限量要求。

此标志为产品的环保使用期限标志，

且此环保使用期限只适用于产品正常工作的温度和湿度等条件。



# E126A AMPLIFIER

---

## ■ Preface

Dear Customer,

Thank you for purchasing TAKSTAR E126A Amplifier. Please read the user manual carefully before use and keep it for reference in future.

If you have any questions or suggestions, please contact our local dealer.

## ■ Features

- Compact and lightweight mini amplifier
- Rare earth material speaker, lightweight, good sound quality, loud sound
- Digital sound reinforcement, 8W high-power audio output
- Built-in large-capacity Lithium battery, energy-saving and environmentally friendly, approx. 15h operation time
- Used as a small speaker with its AUX input
- Indicator light to display the real-time working status of the amplifier
- Wearing it with a waist or shoulder strap for more convenient use
- Ergonomic design, novel and stylish appearance

## ■ Product content

Amplifier .....	1pc
Headworn microphone .....	1pc
Waist strap clip.....	1pc
Strap .....	1pc
Type-C charging cable.....	1pc
User manual.....	1pc



# E126A AMPLIFIER

---

## ■ Applications

Teaching, tour guide, training, promotion

## ■ Specifications

### Amplifier

Frequency Response: 150Hz-12KHz

Peak Power: 8W

Speaker Impedance: 4Ω

THD: THD $\leq$ 1% 1KHz@4R,4W

Operating Voltage: 3.45V-4.2V

Battery Type: Li-ion battery

Battery Capacity: 3.7V/1800mAh

Charging: DC 5V  $\overline{\text{---}}$  800mA

Charging Time: approx. 2.5h

Operation Time: approx. 15h

Weight: approx. 148g

Dimensions: 92mm\*72.5mm\*25mm

### Headworn Microphone

Cartridge: back electret cartridge

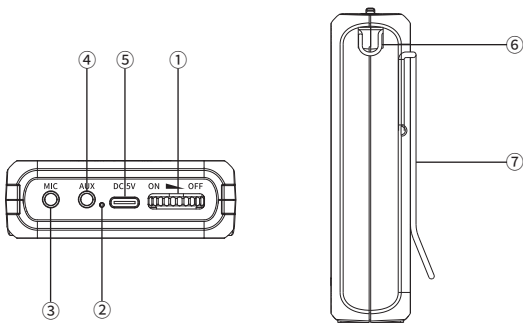
Polar Pattern: unidirectional

Frequency Response: 60Hz-16KHz

Sensitivity: -48.5dB $\pm$ 3dB (0dB=  
1V/Pa, at 1KHz)

Note: The data is tested by Takstar Laboratory, and Takstar has the final interpretation right!

## ■ Function instructions



① Power switch & volume control knob: Turn the power switch towards the "ON" direction till you hear the sound "da", indicating that the amplifier is turned on, and the power LED lights up blue. The volume increases when you continue to turn the power switch towards the "ON" direction. The volume decreases when you turn the power switch towards the "OFF" direction, and when you hear the sound "da", it means the amplifier is turned off.

② Power LED: The LED lights up red when the amplifier is charging and lights up blue when fully charged. When the LED flashes red and blue during sound reinforcement, it means low battery and the amplifier needs to be charged in time.

③ MIC jack: Insert the  $\varnothing 3.5\text{mm}$  microphone plug into the MIC jack for sound reinforcement. Please do not face the cartridge of the microphone to the loudspeaker of the amplifier to avoid howling.

## E126A AMPLIFIER

---

- ④AUX jack: Connect to devices like DVD, MP3 via the ø3.5mm audio cable to turn the amplifier into an active speaker.
- ⑤Charging jack: Charge the amplifier via the Type-C charging cable.
- ⑥Shoulder strap buckle: It is used to install the shoulder strap, and the amplifier can be hung diagonally on the shoulder for use.
- ⑦Waist strap clip: It is used to buckle the amplifier on the belt or the waistband for use.

### ■ Operation instructions

1. Put the headworn microphone on your head and adjust the pickup angle of the microphone.
2. Insert the ø3.5mm microphone plug into the MIC jack.
3. When the power switch is turned on, the power LED lights up blue. Adjust the volume knob to a proper position.
4. If the power LED flashes red and blue during use, it indicates that the battery is running low and needs to be charged in time.

Note: When using the amplifier for the first time, please fully charge it before use. When the amplifier is fully charged, please stop charging it to avoid overcharge of the battery. If the amplifier is not used for a long time, please charge it once every six months to avoid over-discharge of the battery, otherwise it will affect the battery performance.

## ■ Troubleshooting

Problems	Causes	Solutions
There is no sound from the amplifier.	The cartridge of the headworn microphone is damp.	Use another headworn microphone.
	The headworn microphone is plugged into the wrong jack.	Check and make sure the headworn microphone is plugged into the MIC IN jack.
	The amplifier is out of battery.	Charge the amplifier in time.
The amplifier cannot be charged.	There is a malfunction on the charger or the charging cable.	Replace the charger or the charging cable.

## ■ Safety instructions

**To avoid possible personal injury or property damage caused by electric shock, high temperature, fire, radiation, explosion, mechanical hazards, and improper use, please read and observe the following items before using the product.**

1. When using the product, please confirm whether the power of the connected device matches the power of the product, and adjust the volume of the device. Do not use it for a long time when the power of the product is exceeded or at a high volume to avoid product failure and hearing damage.
2. If there is any abnormality (such as smoke, odor, etc.) during use, please turn off the power switch and unplug the power plug immediately, and then send the product to the dealer for maintenance.
3. The product and accessories should be placed indoors in a dry and ventilated place. Do not store them in a humid and dusty environment for a long time. Avoid getting close to fire, rain, water, excessive collision, throwing, vibrating the machine and covering the ventilation holes during use, so as not to damage its function.
4. If the product needs to be fixed on the wall or ceiling, please make sure to fix it in place to prevent it from falling down.
5. When using the product, you must abide by the relevant safety regulations. Please do not use the product in the occasions that are clearly prohibited by laws and regulations to avoid accidents.
6. Please do not disassemble, refit or repair the product by yourself to prevent personal injury. If you have any questions or service needs, please contact the local dealer for follow-up.
7. The product is sold without a power adapter. If you use a power adapter to supply power, you should purchase and use a power adapter that has obtained CCC certification and meets the standard requirements.

## 注意事项:

1. 本单为保修凭证, 请用户妥善保管, 如有遗失, 恕不保修或退换。
2. 保修期限制: 购买之日起十二个月内。
3. 除了不可抗力事件损坏外, 由本公司负责, 免费维修。
4. 如属保管不善或使用不当造成的损坏, 维修点将酌情收费。
5. 擅自拆卸维修者, 不予保修。
6. 以上保修条款仅限于中国市场适用 (不含港澳台地区)。

## 产品服务保证书

姓名: \_\_\_\_\_ 电话: \_\_\_\_\_ 地址: \_\_\_\_\_

商品: \_\_\_\_\_ 型号: \_\_\_\_\_ 购买日期: \_\_\_\_\_ 年 \_\_\_\_ 月 \_\_\_\_ 日

维修记录栏 (由维修员填写)	维修员签名	日期

◆广东得胜电子有限公司 ◆电话: 400-6828-333 ◆地址: 广东省惠州市博罗县龙溪街道富康一路2号



扫一扫，了解更多产品  
Scan for more  
product information

## **广东省电声工程技术研究中心 广东得胜电子有限公司制造**

地址：广东省惠州市博罗县龙溪街道富康一路2号

服务热线：400 6828 333 传真：0752 6383950

邮箱：xs@takstar.com

网址：www.takstar.com

Guangdong Takstar Electronic Co., Ltd.

Address: No. 2 Fu Kang Yi Rd., Longxi Boluo

Huizhou, Guangdong 516121 China

Tel: 86 752 6383644 Fax: 86 752 6383952

Email: sales@takstar.com

Website: www.takstar.com